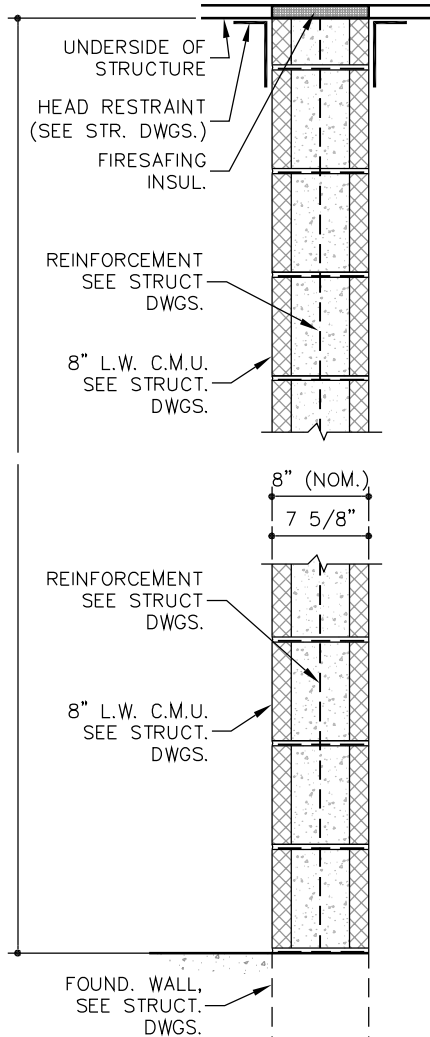
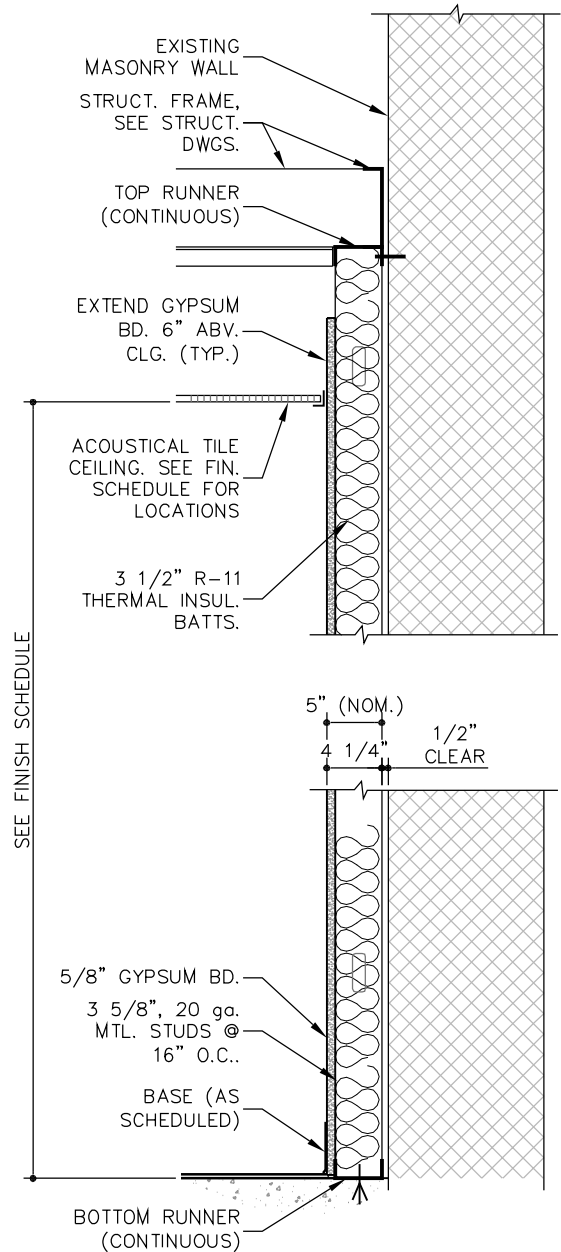


P4A FIRE-RATED PARTITION
 1" = 1'-0"
 2 HR. FIRE-RATED
 U.L. NO. UL411



P3B FIRE-RATED 8" C.M.U. WALL
 1" = 1'-0"
 1 HR. FIRE-RATED
 U.L. NO. UL906



P1A PARTITION @ EXIST. EXTERIOR WALL
 1" = 1'-0"